

Games

Qualifying Draw

9-Nov

A Block

No.	Team		Swallows	OUHS APES-E	Osaka NRF	Pachwork Gents	W · D · L	GF	GA	GD	Pts	Rank
A1	Swallows	Osaka		19 - 13	17 - 11	17 - 9	3 0 0	53	33	20	6	1
A2	OUHS APES-E	Osaka	13 - 19		14 - 16	16 - 11	1 0 2	43	46	-3	2	3
A3	Osaka NRF	Osaka	11 - 17	16 - 14		19 - 9	2 0 1	46	40	6	4	2
A4	Pachwork Gents	Tokushima	9 - 17	11 - 16	9 - 19		0 0 3	29	52	-23	0	4

B Block

No.	Team		OUHS APES-A	Aino Univ. TOPS-Avengers	Kyoto Fushimi Sparrows		W · D · L	GF	GA	GD	Pts	Rank
B1	OUHS APES-A	Osaka		15 - 9	17 - 7		2 0 0	32	16	16	4	1
B2	Aino Univ. TOPS-Avengers	Osaka	9 - 15		16 - 10		1 0 1	25	25	0	2	2
B3	Kyoto Fushimi Sparrows	Kyoto	7 - 17	10 - 16			0 0 2	17	33	-16	0	3

C Block

No.	Team		Dreamers	Aino Univ. TOPS-Sky	Wheelchairs		W · D · L	GF	GA	GD	Pts	Rank
C1	Dreamers	Kyoto		19 - 22	12 - 17		0 0 2	31	39	-8	0	3
C2	Aino Univ. TOPS-Sky	Osaka	22 - 19		16 - 16		1 1 0	38	35	3	3	2
C3	Wheelchairs	Osaka	17 - 12	16 - 16			1 1 0	33	28	5	3	1

D Block

No.	Team		Team Miyagi	Tops Crank	OUHS APES-P	Aino Univ. TOPS-Brute	W · D · L	GF	GA	GD	Pts	Rank
D1	Team Miyagi	Miyagi		15 - 15	14 - 21	12 - 18	0 1 2	41	54	-13	1	4
D2	Tops Crank	Tokushima	15 - 15		17 - 24	17 - 21	0 1 2	49	60	-11	1	3
D3	OUHS APES-P	Osaka	21 - 14	24 - 17		15 - 15	2 1 0	60	46	14	5	1
D4	Aino Univ. TOPS-Brute	Osaka	18 - 12	21 - 17	15 - 15		2 1 0	54	44	10	5	2

9-Nov

Qualifying Draw

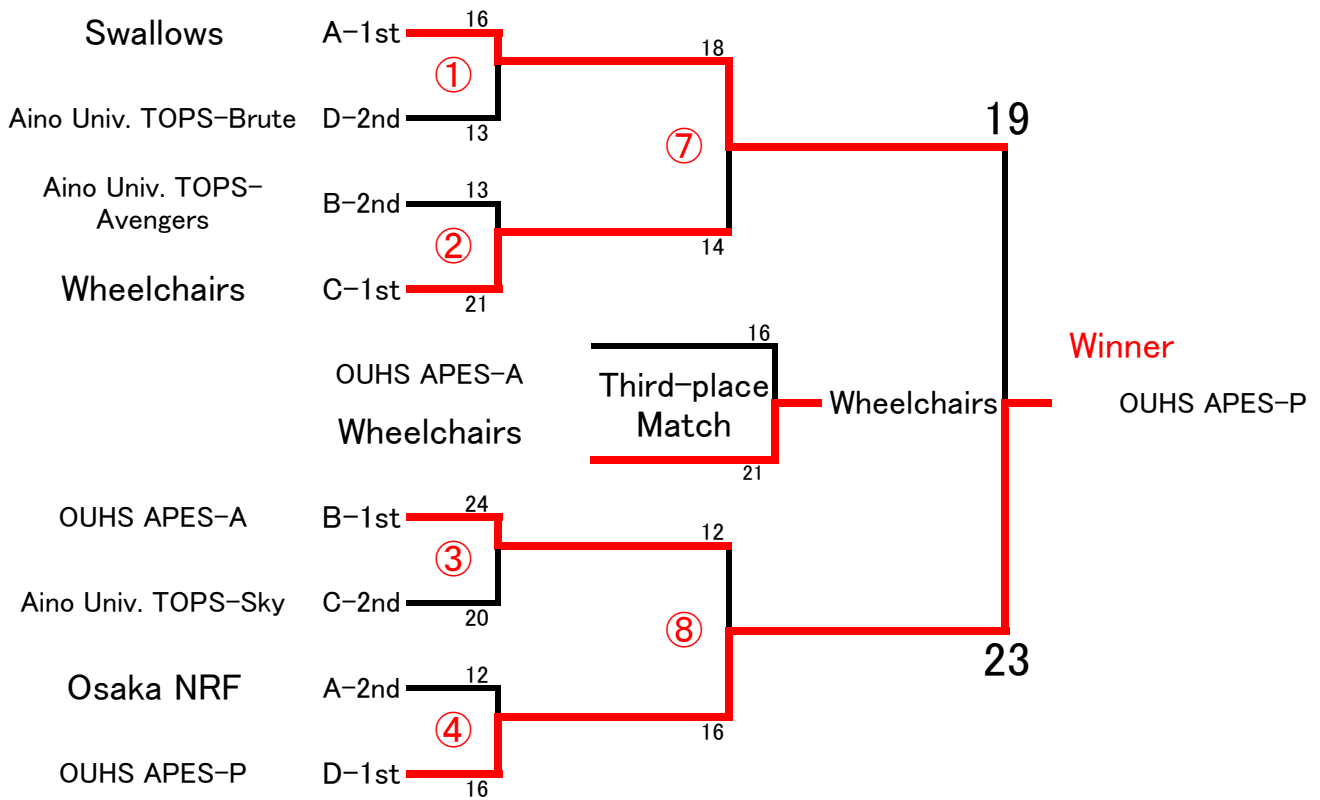
No.	Time	A Court				B Court					
1	11:00 ~ 11:35	B1-B3	OUHS APES-A 17	— (8 - 9)	Kyoto Sparrows (3 - 4)	Fushimi 7	C1-C3	Dreamers 12	— (4 - 8)	Wheelchairs (11 - 6)	17
2	11:45 ~ 12:20	A1-A3	Swallows 17	— (7 - 10)	Osaka NRF (4 - 7)	11	A2-A4	OUHS APES-E 16	— (6 - 10)	Pachwork Gents (8 - 3)	11
3	12:30 ~ 13:05	D1-D3	Team Miyagi 14	— (9 - 5)	OUHS APES-P (10 - 11)	21	D2-D4	Tops Crank 17	— (7 - 10)	Aino Univ. TOPS-Brute (9 - 12)	21
4	13:15 ~ 13:50	[Friendly Block]	THC. Jr Sudachi A 19	— (11 - 8)	THC. Jr Sudachi B (2 - 0)	2	[Friendly Block]	Iwade HB Club 9	— (2 - 4)	Pachwork Madam (2 - 1)	7
5	14:00 ~ 14:35	C2-C3	Aino Univ. TOPS-Sky 16	— (7 - 9)	Wheelchairs (8 - 8)	16	B2-B3	Aino Univ. TOPS-Avengers 16	— (8 - 8)	Kyoto Fushimi Sparrows (6 - 4)	10
6	14:45 ~ 15:20	A2-A3	OUHS APES-E 14	— (4 - 10)	Osaka NRF (7 - 9)	16	A1-A4	Swallows 17	— (5 - 12)	Pachwork Gents (8 - 1)	9
7	15:30 ~ 16:05	D2-D3	Tops Crank 17	— (11 - 6)	OUHS APES-P (12 - 12)	24	D1-D4	Team Miyagi 18	— (7 - 11)	Aino Univ. TOPS-Brute (8 - 4)	12
8	16:15 ~ 16:50	B1-B2	OUHS APES-A 15	— (9 - 6)	Aino Univ. TOPS-Avengers (2 - 7)	9	C1-C2	Dreamers 19	— (12 - 7)	Aino Univ. TOPS-Sky (9 - 13)	22
9	17:00 ~ 17:35	A1-A2	Swallows 19	— (10 - 9)	OUHS APES-E (9 - 4)	13	A3-A4	Osaka NRF 19	— (10 - 9)	Pachwork Gents (4 - 5)	9
10	17:45 ~ 18:20	D1-D2	Team Miyagi 15	— (8 - 7)	Tops Crank (6 - 9)	15	D3-D4	OUHS APES-P 15	— (10 - 5)	Aino Univ. TOPS-Brute (9 - 6)	15

10-Nov

Main Tournament

No.	Time	A Court				B Court				
1	9:00 ~ 9:35	①	Swallows	—	Aino Univ. TOPS Brute	13	②	Aino Univ. TOPS-Avengers	—	Wheelchairs
	16		{ 8 8 }	{ 6 7 }				13	{ 8 5 }	{ 9 12 }
2	9:45 ~ 10:20	③	OUHS APES-A	—	Aino Univ. TOPS-Sky	20	④	Osaka NRF	—	OUHS APES-P
	24		{ 8 10 4 2 }	{ 9 9 1 1 }				20	{ 6 6 }	{ 9 7 }
3	10:30 ~ 11:05	⑤	Kyoto Fushimi Sparrows	—	Team Miyagi	14	⑥	Pachwork Gents	—	Dreamers
	5		{ 4 1 }	{ 6 8 }				14	{ 8 6 }	{ 11 4 }
4	11:15 ~ 11:50	Semi Final ⑦	Swallows	—	Wheelchairs	14	Semi Final ⑧	OUHS APES-A	—	OUHS APES-P
	18		{ 9 9 }	{ 8 6 }				14	{ 5 7 }	{ 8 8 }
5	12:00 ~ 12:35	⑨	OUHS APES-E	—	Team Miyagi	13	⑩	Dreamers	—	Tops Crank
	18		{ 8 10 }	{ 7 6 }				13	{ 8 9 }	{ 6 10 }
6	12:45 ~ 13:20	[Friendly Block] Final	THC. Jr Sudachi A	—	Iwade HB Club	9	[Friendly Block]	THC. Jr Sudachi B	—	Pachwork Madam
	16		{ 6 10 }	{ 5 4 }				9	{ 2 3 }	{ 0 3 }
7	13:30 ~ 14:05	3位 決定戦 ⑫	Wheelchairs	—	OUHS APES-A	16	⑪	OUHS APES-E	—	Dreamers
	21		{ 9 12 }	{ 7 9 }				16	{ 7 7 6 2 }	{ 8 6 2 2 }
8	14:15 ~ 14:50	Final ⑬	Swallows	—	OUHS APES-P	23				
	19		{ 9 8 1 1 }	{ 8 9 3 3 }			23			

Main Tournament



Main Tournament

